

4

3

2

1

THIS DRAWING IS UNPUBLISHED.

RELEASED FOR PUBLICATION

,19

© COPYRIGHT 19

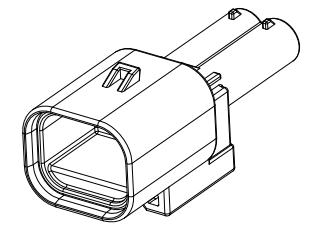
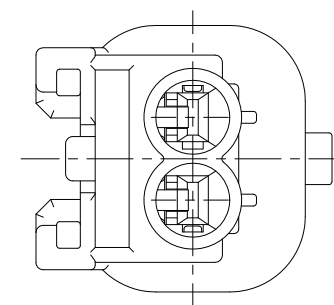
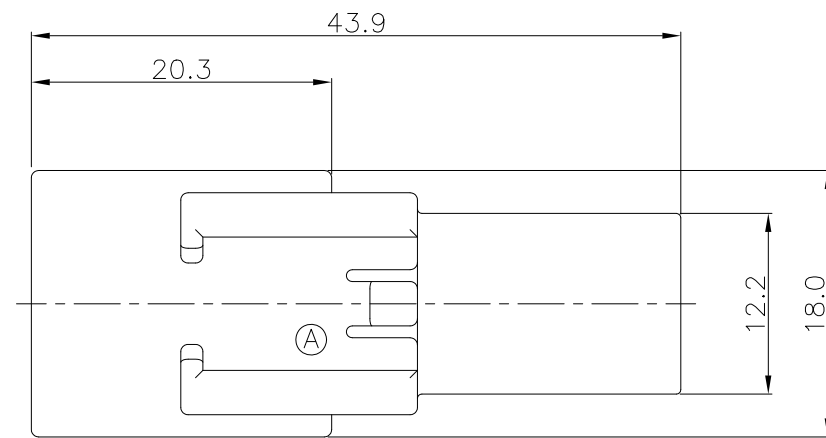
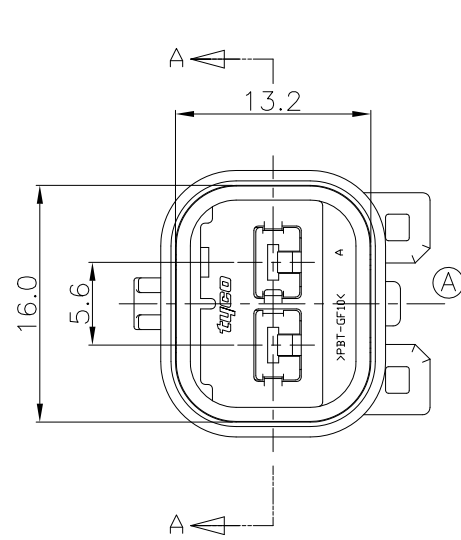
BY AMP INCORPORATED. ALL RIGHTS RESERVED.

LOC DS

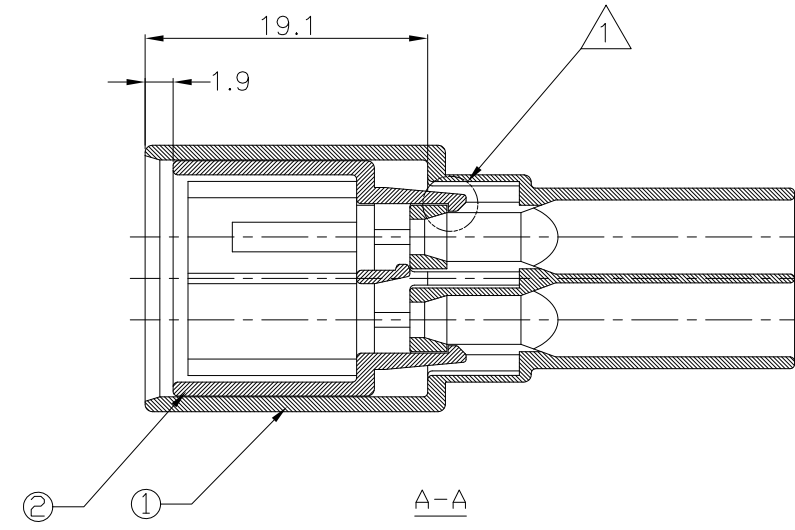
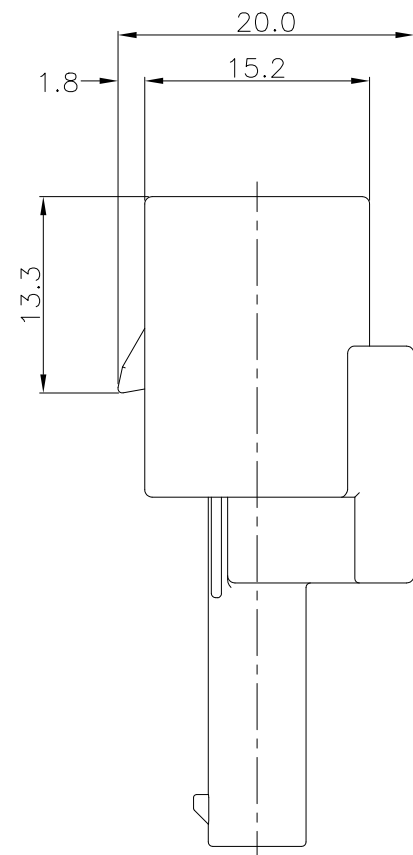
DIST

REVISIONS

P	LTR	DESCRIPTION	DATE	DWN	APVD
A		REVISED<FC00-0056-05>	28/FEB/'05	BH	CS
B		REVISED<ECR-09-004879>	03/MAR/'09	YC	HG



3D VIEW<SCALE 1:1>



NOTES

- 1. CONDITION OF DELIVERY : DBL PLATE IN OPEN POSITION.
 - 2. APPLIED TAB CONTACT P/N:
- | CONTACT | .090 TERMINAL | | |
|-----------------------------|---------------|--------------|--------------------|
| Part NO. | 936260-1 | 936261-1 | 936262-1 |
| WIRE SIZE(mm ²) | 0.3-AVS0.5 | 0.85-AVS1.25 | AVSS2.0, AESSXF2.5 |
- 3. APPLIED FEMALE CONNECTOR P/N : 936248-X
 - 4. APPLIED WIRE COVER HSG P/N : 936311-1
(CORRUGATOR DIA : Ø5)

NO.	COLOR	MATERIAL	DESCRIPTION	QTY	936291-8	936291-2	ASSY P/N
2	WHITE	PBT GF10	DBL PLATE	1	1		
1	BLUE	PBT	CAP HSG	1			
1	BLACK	PBT	CAP HSG			1	

THIS DRAWING IS A CONTROLLED DOCUMENT FOR AMP INCORPORATED. IT IS SUBJECT TO CHANGE AND THE CONTROLLING ENGINEERING ORGANIZATION SHOULD BE CONTACTED FOR THE LATEST REVISION.

DWN : YC LEE
CHK : YM CHOI
APVD : HG CHO

Tyco Electronics AMP KOREA, kyungsan, korea

NAME: .090 SEALED 2P CAP ASS'Y

PRODUCT SPEC
APPLICATION SPEC

SIZE: A3 CAGE CODE: 00779 DRAWING NO: 936291

MATERIAL: SEE TABLE FINISH: CUSTOMER DRAWING

WEIGHT: SCALE: 2/1 SHEET: 1 OF 1 REV: B